

LATH

PI BAR

KELLY BAR

V-BAR

*Brentwood Splash Fills can be found in new and retrofit installations around the globe ...*

## KELLY BAR

A well-known splash fill profile with a proven performance track record is now precision-manufactured by Brentwood. Named for Neil Kelly, in honor of his significant contributions to crossflow wet cooling technology, this classic design maximizes practicality and can be oriented either parallel or perpendicular to airflow and in any standard fill arrangement, depending on thermal requirements. Standard Kelly Bar is designed for spans up to 3 ft. (915 mm) and Heavy Duty for spans up to 4 ft. (1219 mm).

### Features & Benefits

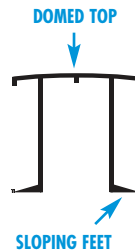
- The 4.25" (108 mm) wide top surface and 1/8" (3 mm) wire overhang help reduce water streaming between fill layers.



- The Inverted-V Stiffener strengthens the Kelly Bar to reduce the potential for damage from high water or ice loading.
- Heavy-duty Kelly Bars can span up to 4 ft. (1219 mm), reducing the number of wire hangers needed.
- Kelly Bars nest to each other for space-efficient stacking and cost-effective shipping.
- Available in UV-stabilized PVC.
- When mounted with Brentwood Fill Clips (see back), droplet-induced vibration and flutter is reduced, creating more energetic droplet rebound and increased thermal performance.

## PI BAR

Designed for extra-dirty water applications where a 2 inch (51 mm) wide bar is desired. The domed top and sloping feet help shed accumulation of solids while improving the splash effect.



### Features and Benefits

- Heavy-duty beam design allows for spans up to 5 ft. (1524 mm) without deflection (when properly installed).
- Available in UV-stabilized PVC



*Brentwood Splash Fill Manufacturing & Distribution, Lebanon, Pennsylvania*

*Since all of our splash fill operations have been consolidated into one efficient East Coast manufacturing & distribution facility, we can now offer quality, pricing, and delivery like never before!*

## V-BAR

Field-proven for over 30 years, Brentwood V-Bar is a durable, high-performance PVC replacement for wooden splash fills and OEM splash bars.

### Features & Benefits

- Stiffening Center Rib strengthens the V-Bar for maximum spans and reduces the potential for damage from high water or ice loading.
- Heavy-duty V-Bar is available for colder climates where extreme ice loads are possible.
- Available in UV-stabilized PVC



## LATH

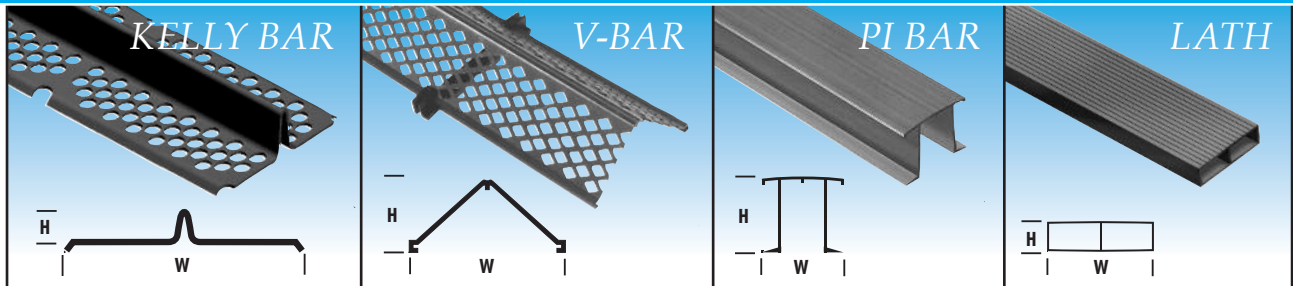


Lightweight, strong PVC replacement for wooden lath in crossflow or counterflow cooling towers. Available in UV-stabilized PVC, Brentwood Lath is highly resistant to weather, chemicals, and biological attack. The self-extinguishing properties of PVC means risk of fire is minimized.

## WIRE HANGING SYSTEMS

Engineered Wire Hanging Systems are available for secure, effective installation of all types of Brentwood Splash Fill Media (see back).

## DIMENSIONS & WEIGHTS



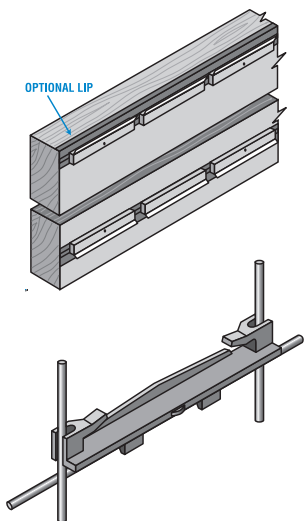
	KELLY BAR		V-BAR		PI BAR		LATH	
	STANDARD	HEAVY DUTY	STANDARD	HEAVY DUTY	STANDARD	STANDARD	STANDARD	STANDARD
<b>THICKNESS</b>	50 mils (1.3 mm)	80 mils (2.0 mm)	50 mils (1.3 mm)	80 mils (2 mm)	60 mils (1.5 mm)		50 mils (1.3 mm)	
<b>WIDTH</b>	4.25 in. (108 mm)	4.25 in. (108 mm)	3.75 in. (95 mm)	3.75 in. (95 mm)	1.75 in. (44 mm)		1.5 in. (38 mm)	
<b>HEIGHT</b>	.86 in. (22 mm)	1.33 in. (34 mm)	1.68 in. (43 mm)	1.68 in. (43 mm)	1.53 in. (39 mm)		.43 in. (11 mm)	
<b>LENGTH</b>	Extruded to any length	Extruded to any length	Extruded to any length	Extruded to any length	Extruded to any length		Extruded to any length	
<b>WEIGHT</b>	.13 lbs./ft. (.19 kg/m)	.24 lbs./ft. (.36 kg/m)	.12 lbs./ft. (.18 kg/m)	.19 lbs./ft. (.28 kg/m)	.22 lbs./ft. (.33 kg/m)		.13 lbs./ft. (.19 kg/m)	
<b>RECOMMENDED SUPPORT SPAN</b>	3 ft. (915 mm)	4 ft. (1219 mm)	2 ft. (610 mm)	Per ice load specifications	5 ft. (1524 mm)		2 ft.* (610 mm)	

\* 2 ft. (610 mm) for higher temperatures and loads

## MATERIALS

All Brentwood Splash Fills are made from CTI STD-136 PVC with ultra-fine, carbon black UV protection. This PVC compound has outstanding resistance to weather exposure and is nearly impervious to chemical degradation by alkalis and acids, grease, fats, oils, and biological attack. Because it is self-extinguishing, PVC has an excellent fire rating, which helps reduce insurance costs.

## INSTALLATION ACCESSORIES



### Hanger Brackets

Brentwood Hanger Brackets are designed to evenly distribute the load of the wire hanging system. Unlike the point loading of staples or nails, these brackets provide full-width support and minimize wire bending, wear, and breakage. They are delivered pre-notched to your specifications and pre-drilled for nailing. Heavy-duty brackets are also available for installations where higher loading is anticipated. Brackets are available with or without a lip.

### Fill Clips

Quickly, easily snap Kelly Bar or V-Bar Splash Fill into the Fill Clip and the clip's extended tabs and raised center rib prevent the fill bars from slipping out. Keeping the media secured prevents wear on both the wire hanger and the fill itself. Brentwood Fill Clips are made of Polypropylene Copolymer, a high impact-resistant material that remains flexible at a wide range of temperatures. Each clip is 4" (100 mm) wide and weighs .19 oz. (5 g).

### Welded Wire Mesh

The welded wire mesh we recommend in our splash fill hanging system must be designed and constructed for harsh environments. Acceptable materials are stainless steel and PVC-coated galvanized wire. We recommend wire that is galvanized after welding and has a minimum PVC coating of 15 mils.

